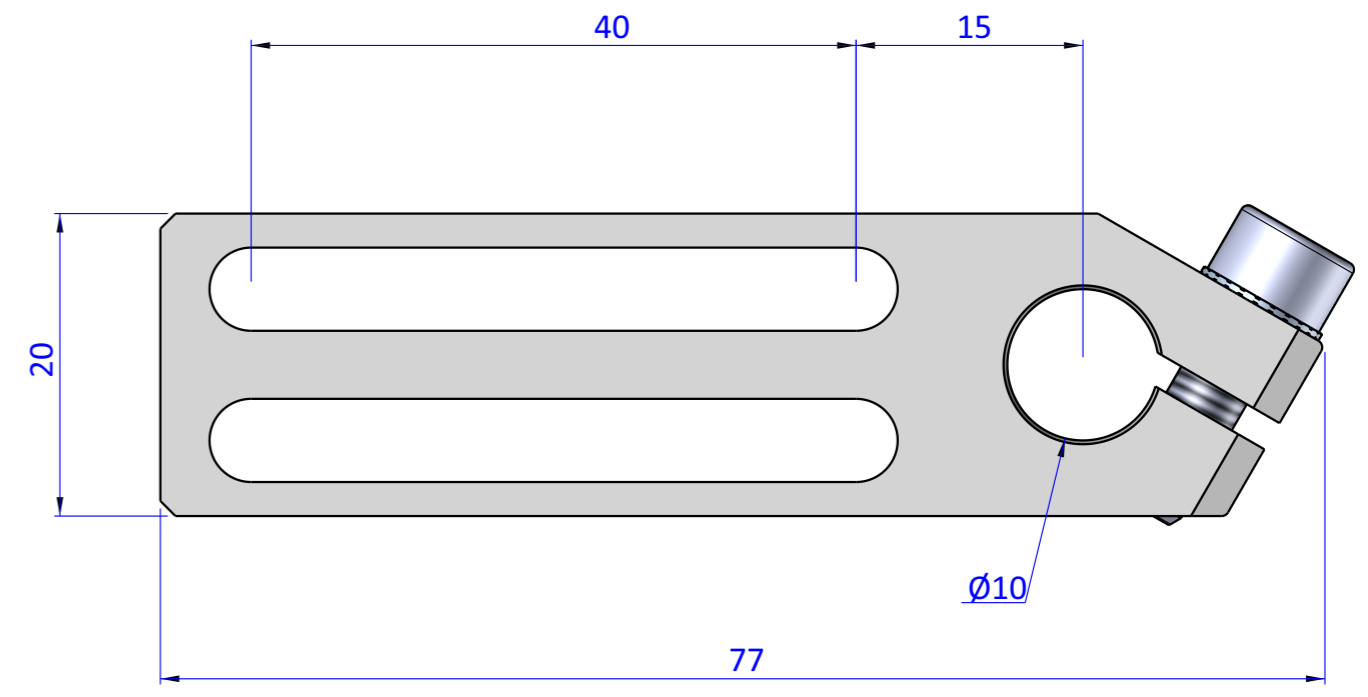
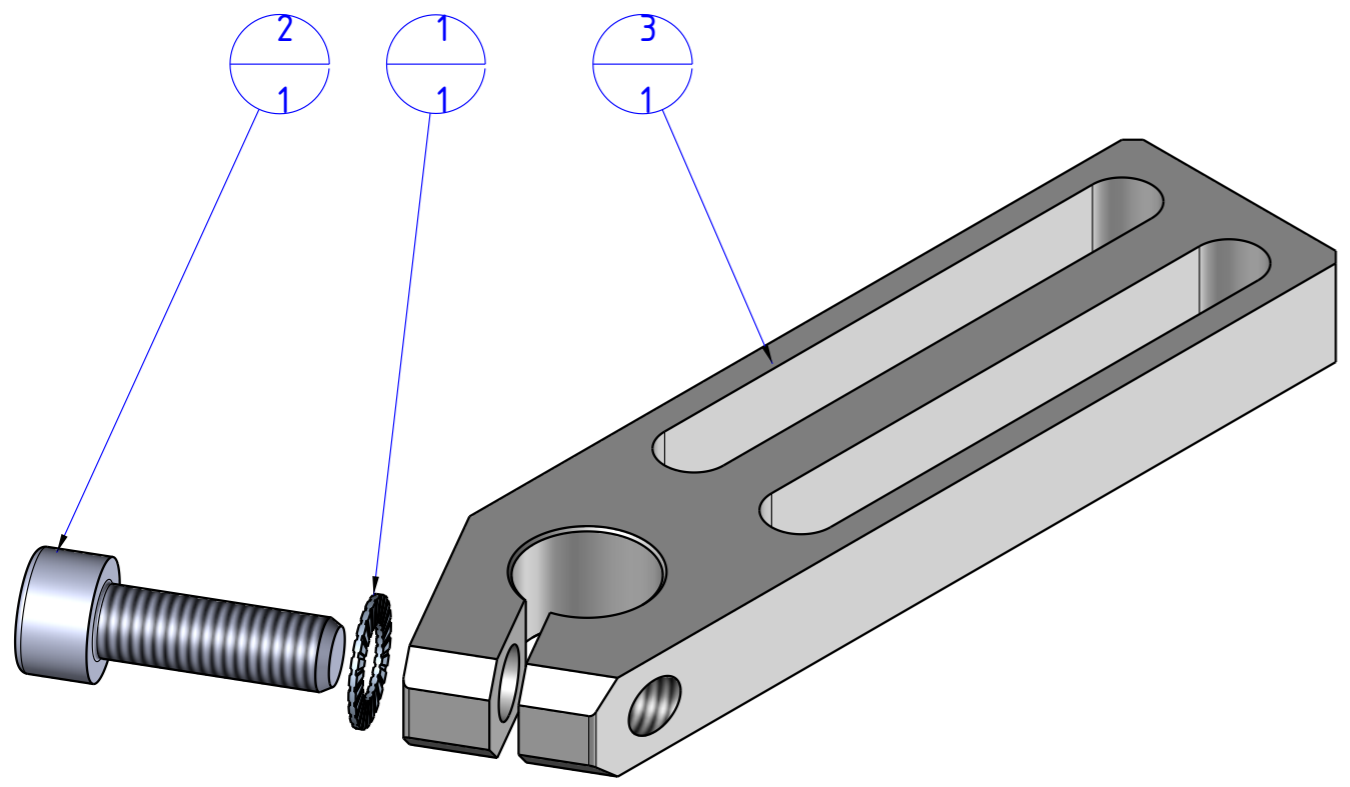



Item	Name	Q.ty
1	R.5.SCH	1
2	V.TCE5x16	1
3	WSL.1040.VU	1



THE PROPERTY OF THE DRAWING IS ESTABLISHED BY LAW. IT IS FORBIDDEN TO PRODUCE OR SHOW IT TO THIRD PART. WITHOUT A WRITTEN AGREEMENT.

Format A3  
UNI 936-76

 <b>FPS</b> FPSERVICES AUTOMATION		DESIGNED FROM <b>FPS Automation</b>		REVIEW <b>A</b>
		DATE 01/03/2021	WEIGHT 0,022kg	
GENERAL TOLERANCE UNI - ISO 2768 CLASSE f	DESCRIPTION CA.WSL.1040.VU		CODE CA.WSL.1040.VU	